

OCDRIVESHAFT.COM

SAMPLE FORM

ENTER SPECS FOR CUSTOM SHAFT
DOUBLE-CHECK SPECS BEFORE PURCHASE
PURCHASE IS ALLOWED AFTER COMPLETING FORM

Driveshaft Build Form: 1350 Series, 3" HEAVY, Transmission Slip Yoke to Flange Yoke

Fill out form to build your driveshaft

Contact information:

First Name Last Name

Email

Phone

 -
Area Code Phone Number

Contact information is used for automated confirmation email.

Next

Driveshaft Build Form: 1350 Series, 3" HEAVY, Transmission Slip Yoke to Flange Yoke

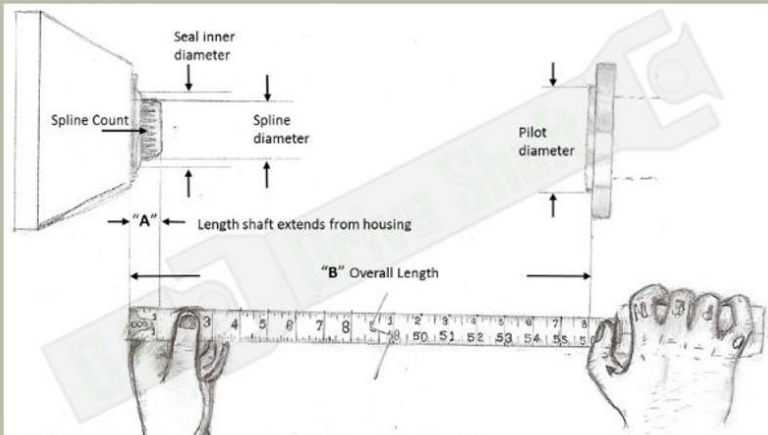
Required measurements and information

This form will help you gather the measurements necessary to build a driveshaft for your application.

IMPORTANT NOTES:

Always measure driveshaft length with vehicle suspension at ride height.
We measure everything in inches.
When measuring anything under 6 inches, use a 6-inch scale or calipers, avoid using a tape measure.

Measurement Guide:



NOTE: Maximum Overall Length for 3" Shaft is 55.0". WHY? Click [HERE](#) to find out.

Enter dimensions in fields:

Dimensions are measured in inches and can be entered as decimals (eg. 0.75 or 20.125)

A: Length shaft extends from housing

Valid range (0.000" to 10.000")

B: Overall Length

Valid range for 3" shafts (8.000" to 55.000") Need a longer shaft? Go back and choose form for 3.5" tubing.

Shaft dimensions are entered in these fields.

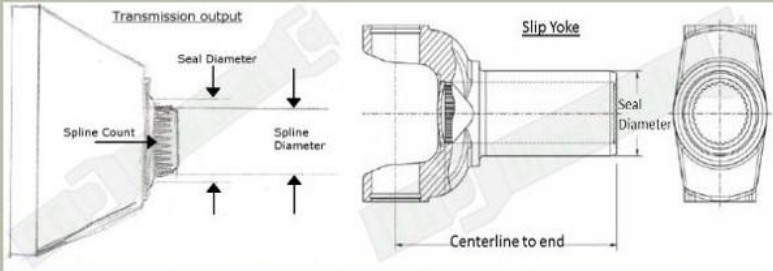
Go Back

Next

Driveshaft Build Form: 1350 Series, 3" HEAVY, Transmission Slip Yoke to Flange Yoke

Select Slip Yoke

Make selection from list below



Note: GM TH400 with threaded hole in output shaft is 'Fixed Yoke' transmission and requires a .550" counterbored slip yoke, only available in Sonnax 1350 Mega Series.

Slip Yoke choices are displayed in 2 categories:

Standard: Slip yokes from Spicer, Neapco and PTI are included in the driveshaft price. (Includes Ford, GM)

Sonnax Chrome Moly (add \$80): Forged Chromoly slip yokes are available for popular muscle cars.

- Standard Slip Yoke
- Sonnax Chrome Moly (Add \$80)

<input checked="" type="radio"/>	Spline count	Spline Diameter	Centerline to end	Seal Diameter	Possible applications
<input type="radio"/>	XX	X.XXX	X.XXX	X.XXX	Grampa's roadmaster

Standard		Spline Count	Spline Diameter	Centerline to end	Seal Diameter	Possible applications
<input checked="" type="radio"/>	27	1.176	6.940	1.502		GM 700R4 (Counterbore .410"), 4L60E, 4L65
<input checked="" type="radio"/>	28	1.220	6.625	1.500		C4, Non-vented
<input checked="" type="radio"/>	28	1.220	6.630	1.598		Ford Late Model C4/4R70W
<input checked="" type="radio"/>	31	1.390	7.310	1.885		Ford E4OD/4R100 transmissions on 2/4wd Borg Warner Tcase
<input checked="" type="radio"/>	31	1.390	6.440	1.685		Ford C6
<input checked="" type="radio"/>	30	1.326	6.630	1.680		Dodge 727 (fits Viper)
<input checked="" type="radio"/>	32	1.378	7.940	1.886		GM Full Spline Non-Vented TH400 208/241 (Counterbore .220")
<input checked="" type="radio"/>	32	1.378	6.938	1.885		GM TH400 w 208 Tcase
<input checked="" type="radio"/>	32	1.378	5.500	1.885		GM TH400 (Short)
<input checked="" type="radio"/>	32	1.378	6.938	1.886		GM full size van (96-02) 1/8" hole in welch plug
<input checked="" type="radio"/>	32	1.378	7.875	1.886		GM full size truck (82-99) 208/241 tcase
<input checked="" type="radio"/>	32	1.378	7.875	1.885		TH400 208/241 Full spline non-vented with dampener
<input checked="" type="radio"/>	32	1.377	6.102	1.730		Nissan/Infiniti, Counter bore depth .353
<input type="radio"/>	Sonnax Chrome Moly					
<input checked="" type="radio"/>	27	1.176	6.940	1.502		GM 700R4 (Counterbore .410"), 4L60E, 4L65
<input checked="" type="radio"/>	27	1.176	5.470	1.502		GM TH350
<input checked="" type="radio"/>	28	1.220	6.630	1.598		Ford Late Model C4/4R70W
<input checked="" type="radio"/>	31	1.390	7.310	1.885		Ford E4OD/4R100 transmissions on 2/4wd Borg Warner Tcase
<input checked="" type="radio"/>	32	1.378	7.940	1.886		GM Full Spline Non-Vented TH400 208/241 (Counterbore .220")
<input checked="" type="radio"/>	32	1.378	6.938	1.885		GM TH400 w 208 Tcase
<input checked="" type="radio"/>	32	1.378	5.500	1.886		GM TH400 Fix Yoke (Counterbore .550") (Short)
<input checked="" type="radio"/>	32	1.378	5.500	1.885		GM TH400 (Short)
<input checked="" type="radio"/>	31	1.390	6.440	1.685		Ford C6

Choose correct slip yoke for your application

Go Back

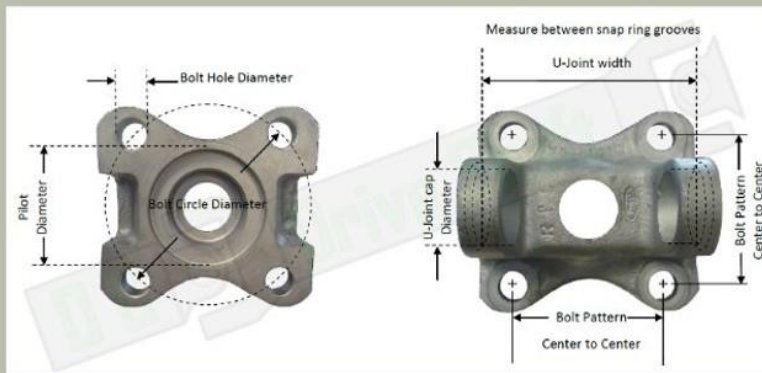
Next

Driveshaft Build Form: 1350 Series, 3" HEAVY, Transmission Slip Yoke to Flange Yoke

Select the flange for your Driveshaft

Choose flange for your application below

Select flange yoke



<input checked="" type="radio"/>	Pilot diameter	Bolt Circle dia.	Bolt hole dia.	Face to C/L	Possible applications
<input type="radio"/>	X.XXX(M/F)	X.XXX	X.XXX	X.XXX	Uncle Buck's LTD

Select your flange here:

<input type="radio"/>	2.000 F	4.250	0.500	1.625	Ford
<input type="radio"/>	2.000 F	4.250	0.500	1.625	Ford (SONNAX ALUMINUM FLANGE)
<input type="radio"/>	2.953 F	4.750	0.500	1.750	Ford Truck, Mustang
<input type="radio"/>	2.950 F	4.750	0.500	1.750	Ford Truck, Mustang (SONNAX ALUMINUM FLANGE)
<input type="radio"/>	2.680 F	4.250	12mm Th	1.625	Ford - Bolt holes are 12mm threaded
<input type="radio"/>	2.000 F	4.250	0.470	1.625	Ford - Bolt holes are 12mm threaded
<input type="radio"/>	1.808 M	4.872	0.484	1.875	Toyota Tundra
<input type="radio"/>	2.838 F	4.500	0.500	2.015	96-02 GM full size vans
<input type="radio"/>	2.750 M	3.750	0.438	1.562	Dana 60,70 companion flange -> 3-1-4041X
<input type="radio"/>	2.750 M	3.750	0.438	1.562	Dana 60,70 (SONNAX ALUMINUM FLANGE)
<input type="radio"/>	Tri-Pod adpt 110 mm		3.000		6L50, 6L80, 6L90 and TR-6060, TR-3160 manuals (SONNAX ALUMINUM FLANGE)

[Go Back](#)

[Next](#)

OCDRIVESHAFT.COM

Driveshaft Build Form: 1350 Series, 3" HEAVY, Transmission Slip Yoke to Flange Yoke

Your Name

[The final step to complete this form is Verify the information below:](#)

Email: your@name.com

Phone number: 555 555-1234

Stickout length (inches): 1.125

Overall Length (inches): 48.5

Slip yoke type: Standard Slip Yoke

Slip yoke application: 30 1.328 0.630 1.880 Dodge 727 (fits Viper)

Flange selected: 2.600 F 4.750 0.500 1.750 Ford Truck, Mustang (SONNAX ALUMINUM FLANGE)

The data collected for a custom: 1350 series, 3" HEAVY driveshaft (transmission slip yoke to flange yoke)



(generic image represents style of driveshaft specified by this form)

[The information is correct - Continue and Purchase](#)

[The information is not correct - Go Back](#)

[Continue and Purchase](#)

[Go Back](#)

Verify all entries are correct before submitting form.
Entries may be changed by going back.

“Continue and Purchase” sends an email with your driveshaft specs and directs you to the checkout to complete the purchase of your custom driveshaft.

Driveshaft Build Form: 1350 Series, 3" HEAVY, Transmission Slip Yoke to Flange Yoke

Your Name

Thank you for choosing OC Driveshaft.

A copy of your Custom Build Form has been sent to our technicians and to your email for reference.

To complete your order, [Click the link below to purchase your custom driveshaft.](#)

[Purchase Custom Shaft](#)

“Purchase Custom Shaft” directs you to the Online Store to finalize your purchase.



[Register](#) | [Login](#)

[HOME](#) [DRIVESHAFTS](#) [SHAFT FACTS](#) [ROYAL PURPLE](#) [STORE](#) [CONTACT US AND INFO](#)



MEGA Series 3" Heavy Driveshaft, 1350 Series, Sonnax Forged Chrome Moly Slip Yoke



MEGA Series 3" Heavy Driveshaft, 1350 Series, Sonnax Forged Chrome Moly Slip Yoke

- Custom 3" 1350 Driveshaft
- Built to specs from Custom Build Form
- Includes selected Sonnax Forged Chromoly Slip Yoke

Price: USD \$590.00

Quantity: *

[Add to cart](#)

“Add to cart” and complete secure checkout.

MEGA Series Driveshafts

High strength shafts feature 1350 U-joints. These will take just about any abuse you can throw at them.

Thicker wall 0.083" DOM tubing and stronger 1350 U-joints allows the shafts to withstand extreme applications.

Steel DOM tubing: 3" or 3.5"

These shafts are built with, 1350 series, Spicer Life Series U-joints for high strength and long life.

All Mega Series Driveshafts are precision high speed balanced on our Hines DL-500 driveline balancer.