

OCDRIVESHAFT.COM

SAMPLE FORM

ENTER SPECS FOR CUSTOM SHAFT
DOUBLE-CHECK SPECS BEFORE PURCHASE
PURCHASE IS ALLOWED AFTER COMPLETING FORM

5" ALUMINUM, 1480 Series Slip Yoke To Pinion Flange

Fill out form to build your ALUMINUM driveshaft

Contact information:

First Name Last Name
Email -
Area Code Phone Number

Contact information is used for automated confirmation email.

Next

5" ALUMINUM, 1480 Series Slip Yoke To Pinion Flange

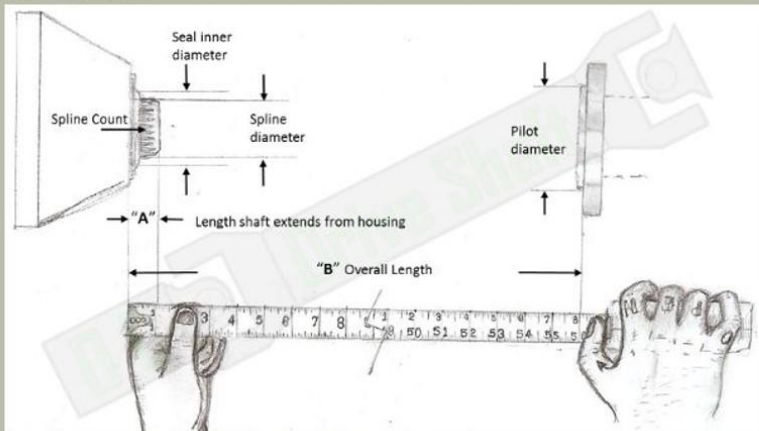
Required measurements and information

This form will help you gather the measurements necessary to build a driveshaft for your application.

IMPORTANT NOTES:

Always measure driveshaft length with vehicle suspension at ride height.
We measure everything in inches.
When measuring anything under 6 inches, use a 6-inch scale or calipers, avoid using a tape measure.

Measurement Guide:



NOTE: Maximum Overall Length for 5" Shaft is 78.0". WHY? Click [HERE](#) to find out.

Enter dimensions in fields:

Dimensions are measured in inches and can be entered as decimals (eg. 0.75 or 20.125)

A: Length shaft extends from housing

Enter a number between 0.000 and 10.000
Valid range (0.000" to 10.000")

B: Overall Length

Enter a length between 8.000 and 78.000
Valid range for 5" shafts (8.000" to 78.000")

Shaft dimensions are entered in these fields.

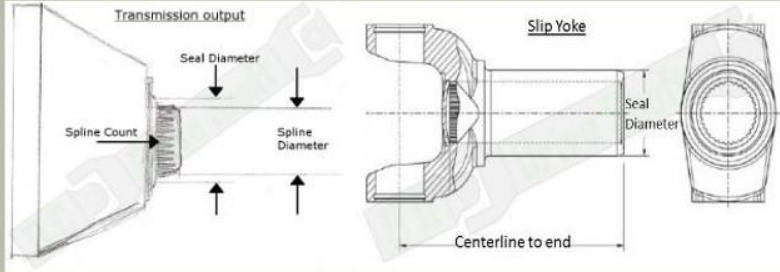
Go Back

Next

5" ALUMINUM, 1480 Series Slip Yoke To Pinion Flange

Select Slip Yoke

Make selection from list below



Note: GM TH400 with threaded hole in output shaft is 'Fixed Yoke' transmission and requires a .550" counterbored slip yoke, only available in Sonnax 1350 Chromoly Slip Yoke.

Slip Yoke choices are displayed Below:

(Add \$50 for Chrysler slip yokes)

<input checked="" type="radio"/>	Spline count	Spline Diameter	Centerline to end	Seal Diameter	Possible applications
<input type="radio"/>	XX	X.XXX	X.XXX	X.XXX	Grampa's roadmaster
<input type="radio"/>	31	1.390	6.870	1.8857	Ford C6, 4R100, E40D
<input type="radio"/>	31	1.616	8.339	2.2000	261XHD
<input type="radio"/>	34	1.748	9.291	2.3000	Dodge AAM Transfer Case NV273D

Go Back

Choose correct slip yoke for your application

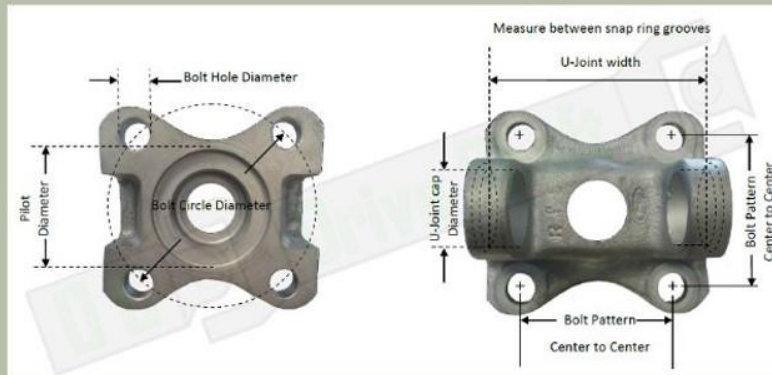
Next

5" ALUMINUM, 1480 Series Slip Yoke To Pinion Flange

Select the flange for your Driveshaft

Choose flange for your application below

Select flange yoke



<input checked="" type="radio"/>	Pilot diameter	Bolt Circle dia.	Bolt hole dia.	Face to C/L	Possible applications
<input type="radio"/>	X.XXX(M/F)	X.XXX	X.XXX	X.XXX	Uncle Buck's LTD

Select your flange here:

3.150M	3.950	0.480	2.558	Isuzu truck
3.150M	4.330	0.480	2.441	Isuzu truck
2.680F	4.250	4@12mmTapped	1.800	Ford
2.680F	4.252	4@drilled square	1.800	Ford
2.553F	4.750	4 square .51"	2.000	Ford
3.750M	4.750	4 drilled@.500	2.000	AAM

Go Back

Next

OCDRIVESHAFT.COM

5" ALUMINUM, 1480 Series Slip Yoke To Pinion Flange

your name

The final step to complete this form is Verify the information below:

Email: your@name.com

Phone number: 555 555-1234

Stikout length (inches): 1.125

Overall Length (inches): 70.25

Slip yoke application: 31 1.816 8.330 2.2000 261XHD

Flange selected: 2.690F 4.252 4@drilled square 1.800 Ford

The data collected for a custom: 1480 series, 5" ALUMINUM driveshaft with transmission slip yoke and pinion flange.



(generic image represents style of driveshaft specified by this form)

The information is correct - Continue and Purchase

The information is not correct - Go Back

Continue and Purchase

Go Back

Verify all entries are correct before submitting form.
Entries may be changed by going back.

"Continue and Purchase" sends an email with your driveshaft specs and directs you to the checkout to complete the purchase of your custom driveshaft.

5" ALUMINUM, 1480 Series Slip Yoke To Pinion Flange

your name

Thank you for choosing OC Driveshaft.

A copy of your Custom Build Form has been sent to our technicians and to your email for reference.

To complete your order, Click the link below to purchase your custom driveshaft.

[Purchase Custom Shaft](#)

"Purchase Custom Shaft" directs you to the Online Store to finalize your purchase.



[Register](#) | [Login](#)

[HOME](#)

[DRIVESHAFTS](#)

[SHAFT FACTS](#)

[ROYAL PURPLE](#)

[STORE](#)

[CONTACT US AND INFO](#)



5" Aluminum Driveshaft, 1480 Series, Slip Yoke to Pinion Flange



5" Aluminum Driveshaft, 1480 Series, Slip Yoke to Pinion Flange

- Custom 5" Aluminum 1480 Driveshaft
- Built to specs from Custom Build Form
- Includes selected Slip Yoke
- Includes selected Companion Flange

Price: USD \$875.00

Quantity: *

Add to cart

"Add to cart" and complete secure checkout.

Aluminum Driveshafts

Aluminum driveshafts are built with Alcoa drawn seamless tubes.

6061-T6 forged aluminum weld yokes.

Available in 3.00", 3.50", 4.00" and 5.00" x .120" wall tubing sizes.

These shafts are built with choice of 1310, 1330, 1350, 1410 or 1480 series, Spicer Life Series U-Joints for high strength and long life.

All Aluminum Driveshafts are precision high speed balanced on our Hines DL-500 driveline balancer.