

# OCDRIVESHAFT.COM

## SAMPLE FORM

ENTER SPECS FOR CUSTOM SHAFT  
DOUBLE-CHECK SPECS BEFORE PURCHASE  
PURCHASE IS ALLOWED AFTER COMPLETING FORM

### 5" ALUMINUM, 1410 Series Slip Yoke To Pinion Flange

Fill out form to build your ALUMINUM driveshaft

Contact information:

First Name Last Name

Email

Phone

-   
Area Code Phone Number

Contact information is used for automated confirmation email.

Next

### 5" ALUMINUM, 1410 Series Slip Yoke To Pinion Flange

#### Required measurements and information

This form will help you gather the measurements necessary to build a driveshaft for your application.

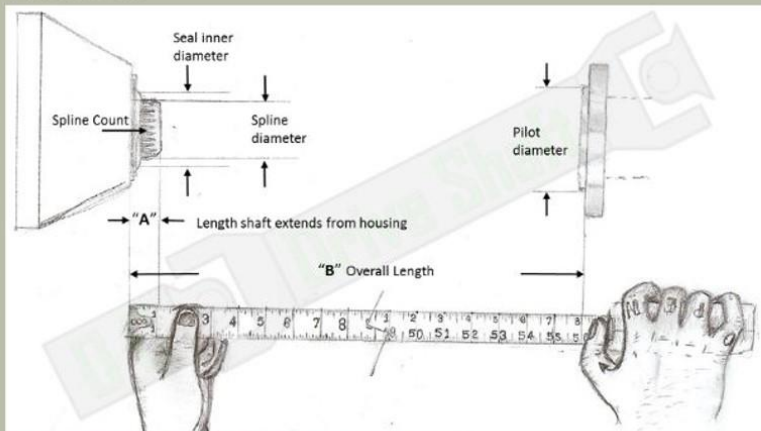
#### IMPORTANT NOTES:

Always measure driveshaft length with vehicle suspension at ride height.

We measure everything in inches.

When measuring anything under 6 inches, use a 6-inch scale or calipers, avoid using a tape measure.

Measurement Guide:



**NOTE:** Maximum Overall Length for 5" Shaft is 78.0". WHY? Click [HERE](#) to find out.

Enter dimensions in fields:

Dimensions are measured in inches and can be entered as decimals (eg. 0.75 or 20.125)

A: Length shaft extends from housing

Valid range (0.000" to 10.000")

B: Overall Length

Valid range for 5" shafts (8.000" to 78.000")

Shaft dimensions are entered in these fields.

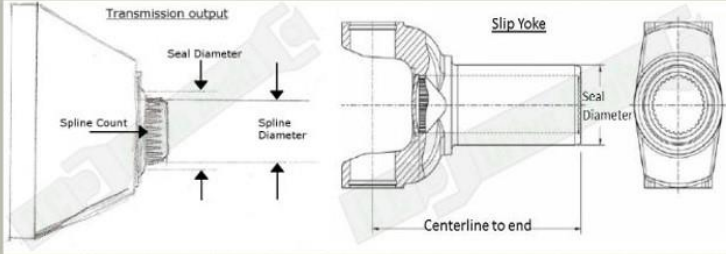
Go Back

Next

## 5" ALUMINUM, 1410 Series Slip Yoke To Pinion Flange

### Select Slip Yoke

Make selection from list below



**Note:** GM TH400 with threaded hole in output shaft is 'Fixed Yoke' transmission and requires a .550" counterbored slip yoke, only available in Sonnax 1350 Chromoly Slip Yoke.

**Slip Yoke choices are displayed Below:**

(Add \$50 for Chrysler slip yokes)

<input checked="" type="radio"/>	Spline count	Spline Diameter	Centerline to end	Seal Diameter	Possible applications
<input type="radio"/>	XX	X.XXX	X.XXX	X.XXX	Grampa's roadmaster

Slip Yokes	Spline Count	Spline Diameter	Centerline to end	Seal Diameter	Possible applications
<input checked="" type="radio"/>	31	1.390	8.110	1.8850	BW 1356/1345R
<input checked="" type="radio"/>	34	1.551	8.110	2.0860	Sportsmobile Nickel Plated
<input checked="" type="radio"/>	31	1.610	8.340	2.2005	Hummer 1.655 Counterbore
<input checked="" type="radio"/>	31	1.610	8.340	2.2005	NP 261R
<input checked="" type="radio"/>	34	1.740	9.394	2.3000	DODGE
<input checked="" type="radio"/>	32	1.378	6.940	1.8850	TH400
<input checked="" type="radio"/>	32	1.378	8.070	1.8850	NP 208/231/241 Nickel Plated
<input checked="" type="radio"/>	32	1.378	8.750	1.8850	NP 208/231/241R
<input checked="" type="radio"/>	32	1.378	7.750	1.8850	NP 208/231/241R
<input checked="" type="radio"/>	30	1.281	8.344	1.6810	Chrysler 727 (ADD \$50)
<input checked="" type="radio"/>	30	1.326	8.340	1.6800	Chrysler 727 (ADD \$50)

Choose correct slip yoke for your application

Go Back

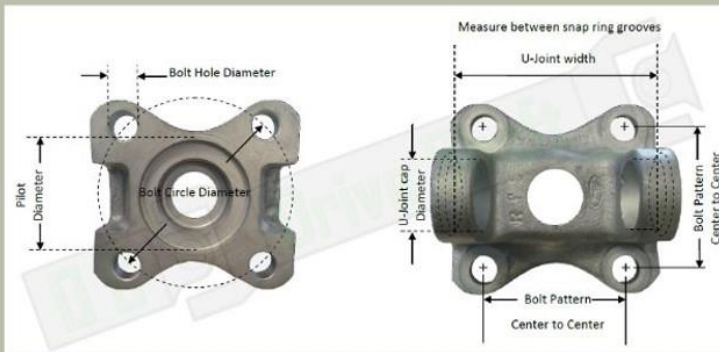
Next

## 5" ALUMINUM, 1410 Series Slip Yoke To Pinion Flange

### Select the flange for your Driveshaft

Choose flange for your application below

### Select flange yoke



<input checked="" type="radio"/>	Pilot diameter	Bolt Circle dia.	Bolt hole dia.	Face to C/L	Possible applications
<input type="radio"/>	X.XXX(M/F)	X.XXX	X.XXX	X.XXX	Uncle Buck's LTD

Select your flange here:	Pilot Diameter	Bolt Circle dia.	Bolt Hole dia.	Face to C/L	Possible applications
<input checked="" type="radio"/>	3.149M	3.938	0.484	1.690	Isuzu/Chevy Flange
<input checked="" type="radio"/>	2.755M	3.937	0.480	2.170	Mitsubishi truck
<input checked="" type="radio"/>	2.680F	4.250	threaded	1.625	Fits Ford truck applications
<input checked="" type="radio"/>	2.000F	4.250 square	0.500	2.000	Ford
<input checked="" type="radio"/>	2.750M	3.750	0.438	1.688	Mates Dana 60,70 companion flange -> 3-1-4041X
<input checked="" type="radio"/>	2.953F	3.996	9@.394D	2.531	DIN 120
<input checked="" type="radio"/>	2.953F	4.750 square	4 square	2.000	Ford
<input checked="" type="radio"/>	3.750M	4.750	0.531	2.000	AAM RAM
<input checked="" type="radio"/>	3.750M	4.750	0.500	2.000	Spicer

Go Back

Next

## 5" ALUMINUM, 1410 Series Slip Yoke To Pinion Flange

your name

**The final step to complete this form is Verify the information below:**

Email: your@name.com

Phone number: 555 555-1234

Stickout length (inches): 2.25

Overall Length (inches): 78.750

Slip yoke application: 31 1.610 8.340 2.2005 NP 281R

Flange selected: 2.750M 3.750 0.438 1.888 Mates Dana 60,70 companion flange -> 3-1-4041X

The data collected for a custom: 1410 series, 5" ALUMINUM driveshaft with transmission slip yoke and pinion flange.



(generic image represents style of driveshaft specified by this form)

**The information is correct - Continue and Purchase**

**The information is not correct - Go Back**

Continue and Purchase

Go Back

Verify all entries are correct before submitting form.  
Entries may be changed by going back.

“Continue and Purchase” sends an email with your driveshaft specs and directs you to the checkout to complete the purchase of your custom driveshaft.

## 5" ALUMINUM, 1410 Series Slip Yoke To Pinion Flange

your name

Thank you for choosing OC Driveshaft.

A copy of your Custom Build Form has been sent to our technicians and to your email for reference.

To complete your order, Click the link below to purchase your custom driveshaft.

[Purchase Custom Shaft](#)

“Purchase Custom Shaft” directs you to the Online Store to finalize your purchase.



[Register](#) | [Login](#)

[HOME](#)

[DRIVESHAFTS](#)

[SHAFT FACTS](#)

[ROYAL PURPLE](#)

[STORE](#)

[CONTACT US AND INFO](#)



## 5" Aluminum Driveshaft, 1410 Series, Slip Yoke to Pinion Flange



### 5" Aluminum Driveshaft, 1410 Series, Slip Yoke to Pinion Flange

- Custom 5" Aluminum 1410 Driveshaft
- Built to specs from Custom Build Form
- Includes selected Slip Yoke
- Includes selected Companion Flange

Price: USD \$775.00

Quantity:

Add to cart

“Add to cart” and complete secure checkout.

Aluminum Driveshafts

Aluminum driveshafts are built with Alcoa drawn seamless tubes.

6061-T6 forged aluminum weld yokes.

Available in 3.00", 3.50", 4.00" and 5.00" x .120" wall tubing sizes.

These shafts are built with choice of 1310, 1330, 1350, 1410 or 1480 series, Spicer Life Series U-joints for high strength and long life.

All Aluminum Driveshafts are precision high speed balanced on our Hines DL-500 driveline balancer.